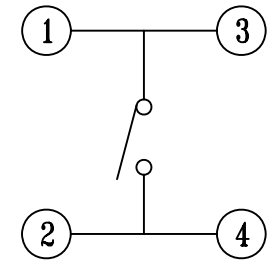
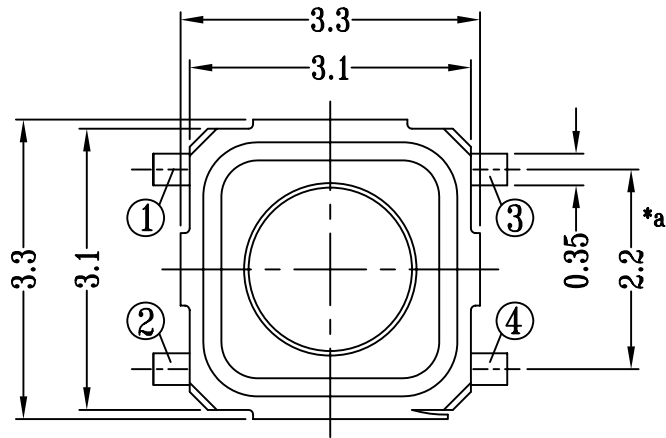
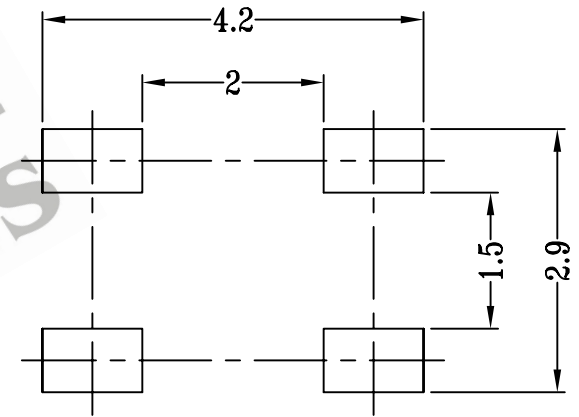
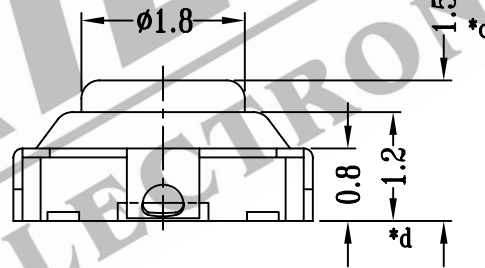
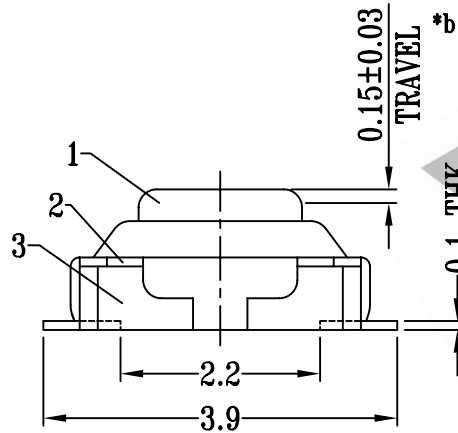


CAD FILE:



SCHMATIC



P.C.B LAYOUT

注:带"*"表示关键尺寸(4个)

8					TOLERANCE UNLESS SPECIFIED	SHENZHEN XIEJIA ELECTRONICS CO.,LTD.				
7										
6					WITHIN: 1.5±0.1mm	ISSUE	DATE	DESCRIPTIONS OF REVISION		APPD.
5	SEAL PLATE	PET	1	YELLOW	OVER: 1.5±0.2mm					
4	CONTACT	SUS	1	Ag CLAD	TITLE : TACT SWITCH			UNIT : mm	DRWG NO.: XJ-DR-TD73XA-00	
3	CASE	NYLON+F.G/BRASS STRIP	1	IVORY/Ag PLATED OVER Ni PLATED				SCALE: 12:1	DWN.	ZHOUYU
2	COVER	SUS	1	Ni PLATED	MODEL: TD-73XA			CHK'D	FANGYING	2005-9-17
1	KNOB	NYLON+F.G	1	IVORY				APPD.	KANGXINAN	2005-9-17
NO.	PARTS	MATERIALS	Q'TY	FINISH	ALL MATERIALS MUST BE COMPLIANT TO ROHS					